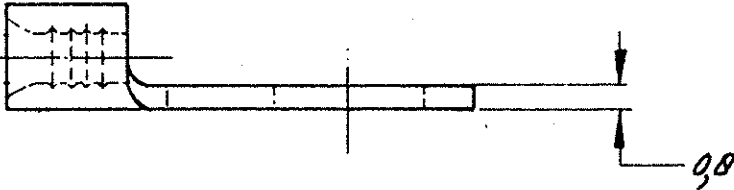
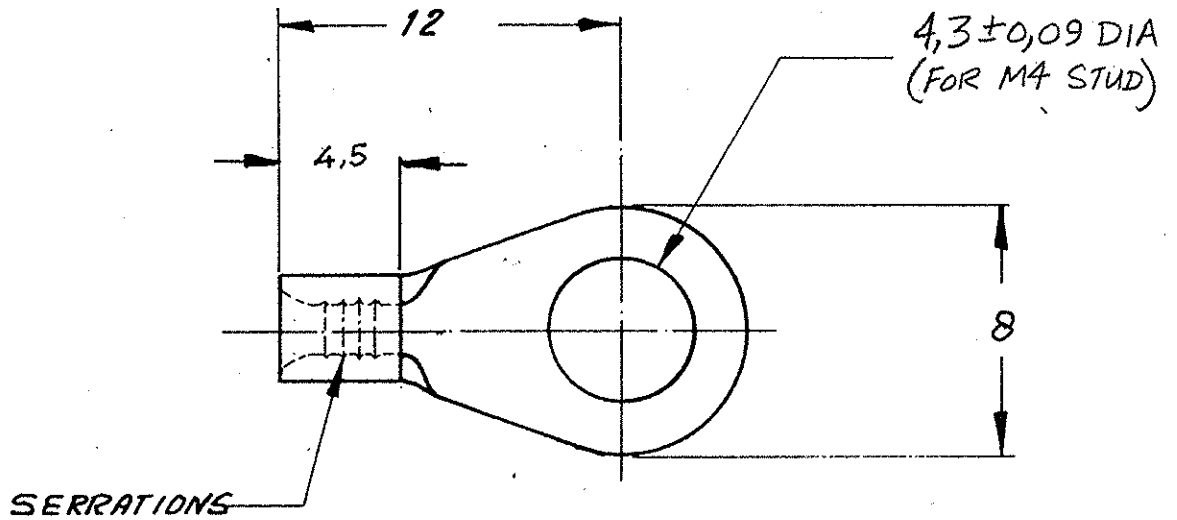


DRAWING MADE IN AMERICAN PROJECTION

NUMBER
C-165293-E



DIMENSIONS IN M.M. DO NOT SCALE PRINT

CUSTOMER COPY FOR REFERENCE ONLY

©1967 BY AMP-HOLLAND N.V. ALL RIGHTS RESERVED A-MP PRODUCTS COVERED BY PATENTS AND/OR PATENTS PENDING.



AMP-HOLLAND N.V.
4-HERTOGENBOSCH
HOLLAND

165293 COPPER TINPLATED

WIRE-RANGE 05-1 mm ²	INSUL-RANGE —H—	TYPE -DIN- SOLISTRAND
------------------------------------	--------------------	--------------------------

ORDER NO.	MATERIAL	PLATING
-----------	----------	---------

SCALE —H—	LOC H	SIZE A	NO C-165293-E	REV E1
--------------	----------	-----------	------------------	-----------

DR R. DHONDT.	23/ DATE 16-67	DES to R. J. P. J. J.	25/ DATE 17-67
CHK	DATE	APP [Signature]	25/ DATE 17-67

NAME RINGTONGUE stud: M4